



USE AND MAINTENANCE MANUAL FOR ECOdip CONTAINERS

 **ECOdip**

 **APLAST**

TABLE OF CONTENTS

1. Introduction	3
2. Use of containers	4
2.1. Purpose of use	4
2.2. What does not belong in ECOdip containers	4
2.3. Size and shape of waste	4
2.4. Opening and closing of the inspection lid or drum	4
2.5. Insert load limit	5
3. Emptying containers	5
3.1. General	5
3.2. Container emptying process	5
3.2.1. Container emptying process using BIG BAG	5
3.2.1.1. Container emptying process with a hinged cover opening system using single-lock BIG BAGs	5
3.2.1.2. Container emptying process using a single hook system with single-lock BIG BAGs	7
3.2.1.3. Container emptying process using double-lock BIG BAGs	8
3.2.2. Container emptying process with a plastic or metal insert	8
3.3. Final inspection and documenting of the emptying process	9
4. Container cleaning and maintenance	10
4.1. General information	10
4.2. Cleaning of containers	10
4.3. Disinfection of containers	10
4.4. Periodic maintenance inspections of containers	10
4.4.1. Upon each emptying	10
4.4.2. Monthly inspections	11
4.4.3. Yearly service interval	11
5. Precautions and safety instructions	12
5.1. Troubleshooting	13
6. Warranty	13
6.1. Validity of the warranty	13
6.2. Warranty claims	13
7. Recycling	14

1. INTRODUCTION

The ECOdip deep municipal waste collection container represents an innovative approach to waste collection, enabling hygienic and cost-effective waste management in different environments. To retain their functionality and long service life, you must strictly follow the “ECOdip Installation Manual” and the “Use and Maintenance Manual for ECOdip Containers” issued by the manufacturer. By following the instructions, you will make optimal use of the capacity of the containers and contribute to maintaining a clean and tidy environment.

Below, you can find three basic versions of containers with different emptying methods, i.e.:

1. By opening the hinged cover and connecting the BIG BAG lifting bands (Figure 1)
2. By connecting the single hook and a BIG BAG (Figure 2)
3. By connecting one of the lifting systems built into the insert: double hook, triple hook, Kinshofer, Nord etc. (Figure 3)

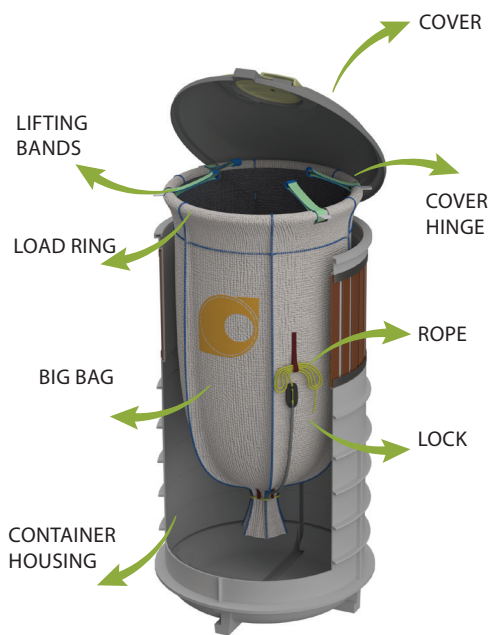


Figure 1: Container with a hinged cover opening

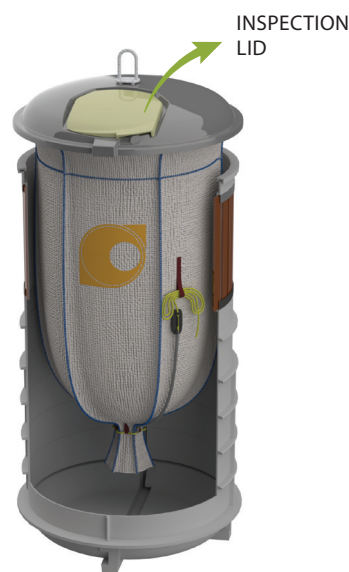


Figure 2: Container with single hook

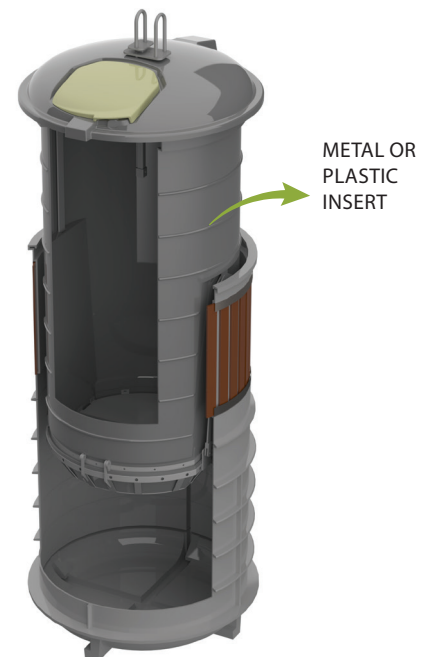


Figure 3: Container with insert, equipped with one of the available hook systems

2. USE OF CONTAINERS

2.1. INTENDED USE

ECOdip containers are intended for separate deep collection of non-hazardous municipal waste (plastics, paper, glass, bio-waste, mixed municipal waste, etc.). Users must gently dispose of waste in deep waste collection containers in accordance with the separate waste collection system and pursuant to the guidelines of local utility companies.

2.2. WHAT DOES NOT BELONG IN ECODIP CONTAINERS

It is strictly forbidden to dispose of the following waste and substances in ECOdip containers:

- a)** Hazardous waste: chemicals, batteries, accumulators, paints, solvents, pesticides, fertilisers, fluorescent substances, and other toxic and/or hazardous substances;
- b)** Building materials, furniture, larger appliances, metal objects, flat glass, and other heavy and large objects;
- c)** Flammable and explosive substances: combustible waste, combustible liquids, flammable gases, and other substances that may cause fire or explosion;
- d)** Fluids;
- e)** Electronic waste: computers, mobile phones, TVs, and other electronic equipment;
- f)** Waste of animal origin not intended for human consumption.

2.3. SIZE AND SHAPE OF WASTE

The waste that you plan to dispose of must be properly prepared. Disassemble or reduce larger items into smaller parts so that they do not block the opening.

2.4. OPENING AND CLOSING OF THE INSPECTION LID OR DRUM

Open the container by lifting the inspection shutter or stainless steel drum, as shown in Figure 4 or Figure 5. When putting waste into the container, maintain the open state of the lid and drum with your hand.

If the lid or drum are fitted with a lock, the lock must be unlocked before opening. The inspection lid is designed with a tool limiting the maximum opening angle which must not be exceeded. Users must be careful when reaching into the area of the inspection lid. The lid or drum must be properly closed after use. Before closing the lid or drum, move your hands away from the area that will be covered by the lid or drum. Any use or handling that deviates from the instructions and could injure the user excludes the manufacturer's liability for the resulting damage.



Figure 4: Revision opening



Figure 5: Drum

2.5. INSERT LOAD LIMITS

The ECOdip insert has a certain maximum permissible load limit according to the dimension of the containers. These loads must not be exceeded. The maximum loads of the inserts are indicated on the identification plates located on the back of the container.

3. EMPTYING CONTAINERS

3.1. GENERAL

Containers may only be emptied by people who are professionally qualified to empty ECOdip containers. During the emptying process, no other person is allowed to be in the area. Emptying can only be performed using dedicated vehicles. Contractors must be equipped with appropriate personal protective equipment and must ensure that the entire emptying process is carried out in a safe manner.

3.2. CONTAINER EMPTYING PROCESS

Empty the containers pursuant to the following process:

- * Attachment of the lifting mechanism: Attach the lifting mechanism of the vehicle to the lifting mechanism of the ECOdip container;
- * Lifting the insert: Slowly and carefully lift the insert vertically from the housing. Do not move the insert horizontally until the insert has been fully lifted from the housing, as the container housing and insert may otherwise be damaged. Pay attention to any irregularities or obstacles during lifting;
- * Waste emptying: Once the insert is fully removed from the housing, carefully move it above the vehicle and empty it. Please verify if all the contents of the container have been emptied. Visually inspect the insert after emptying;
- * Return the insert to its initial position in the container. Do not continue using any damaged inserts;
- * Regardless of the type of the insert, install the container cover correctly (Figure 26).

3.2.1. CONTAINER EMPTYING PROCESS USING BIG BAGS

3.2.1.1. Container emptying process with a hinged dome opening system using single-lock BIG BAGs

a) Insert the key into the cover lock. Turn the key clockwise to unlock the cover (Figure 6) while lifting it at the same time (Figure 7);



Figure 6: Cover lock



Figure 7: Lifting the cover

b) Attach the hooks of the lifting mechanism to all four lifting bands (Figure 8);



Figure 8: Connecting the hook to lifting bands

c) Lift the BIG BAG vertically from the container to the level where the emptying rope is installed in the loop. Remove the rope from the loop (Figure 9) and continue the lifting process;



Figure 9: Pulling the rope out of the loop

d) Lift the BIG BAG above the emptying point (Figure 10) and pull the rope firmly in the direction of the latch opening (Figure 11). CAUTION: Do not wind the rope around the palm of your hand or other body parts;



Figure 10: Emptying the bag by pulling the rope



Figure 11: Locking the rope and the direction of pulling

ATTENTION!
DO NOT PULL THE ROPE UNTIL THE BIG BAG IS LOCATED ABOVE THE POINT OF EMPTYING!



e) After you have emptied the BIG BAG, start the process of returning the bag to the container. When the bag is within arm's reach above the opening of the container, strongly pull the rope that is routed through the hose (Figure 12). Insert the end of the tube into the latch, run the rope through the latch groove and securely attach it in the safety pin at the top (Figure 13). Fold the remaining part of the rope (Figure 14) and insert the roll into the intended loop (Figure 15);

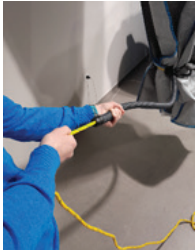


Figure 12: Pull the rope to make a loop on the bag

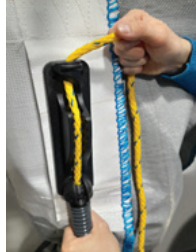


Figure 13: Insert the tube into the latch and attach the rope into the safety pin



Figure 14: Fold the remaining part of the rope



Figure 15: Insert the rope roll into the loop

f) Place the so-equipped BIG BAG back into the container housing. Then disconnect the hooks of the lifting mechanism from the bag and close the container cover. The dome locks automatically when closed.

3.2.1.2. Container emptying process using a single hook system with single-lock BIG BAGs

When using a single hook container, the entire cover is lifted, not just the BIG BAG.

a) Fasten the hook of the lifting mechanism to the hook of the ECOdip container;



Figure 16: Fasten the hook of the lifting mechanism to the hook



Figure 17: Hook

b) Then follow the instructions described in point 3.2.1.1., starting with point c).

3.2.1.3. Container emptying process using double-lock BIG BAGs with a liquid retainer

Double-lock bags may be incorporated in single-hook containers or in containers with a hinged dome opening. Depending on the design of the container, note the attachment of the bag to the lifting mechanism as described in point 3.2.1.1. (points a) and b)) or in point 3.2.1.2. (point a)).

Then pull the bag vertically out of the housing to the point where the first rope roll is located in the loop. Pull the rope out of the loop and let it hang freely. Continue lifting to the second loop, pull out the rope and also let it hang freely.



Figure 18: Double-lock bag

ATTENTION!
DO NOT PULL THE ROPE UNTIL
THE BIG BAG IS LOCATED ABOVE
THE POINT OF EMPTYING!



When the bag is above the emptying point, first pull the rope from the latch (Figure 18 – Mark 1) in the direction of the latch opening. Then remove the rope from the lock (Figure 18 – Mark 2) and wait for the bag to empty. After the emptying has been completed, continue with the process of returning the bag to the housing as described in point 3.2.1.1. e). This process must be performed for the ropes marked 1 and 2 in Figure 18.

Place the so-equipped BIG BAG back into the container housing.

3.2.2. CONTAINER EMPTYING PROCESS WITH A PLASTIC OR METAL INSERT

ECOdip containers equipped with plastic or metal inserts are manufactured using one of the following types of hooks:

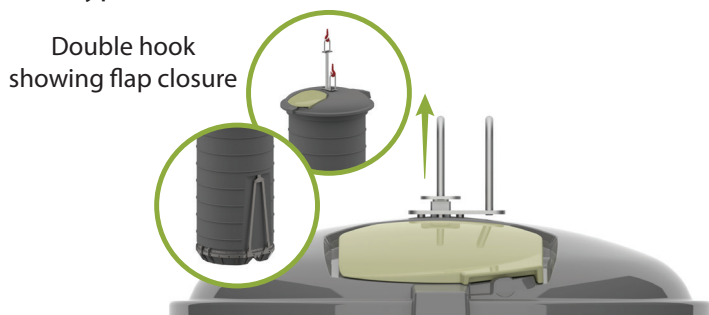


Figure 19: Double hook

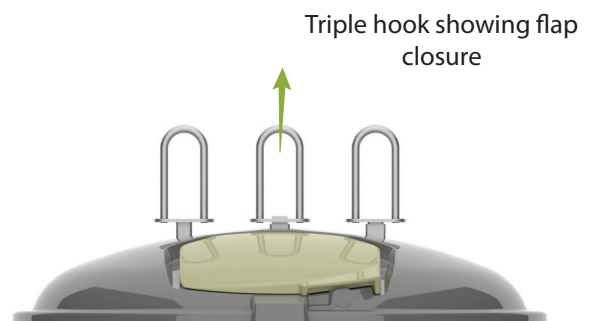


Figure 20: Triple hook

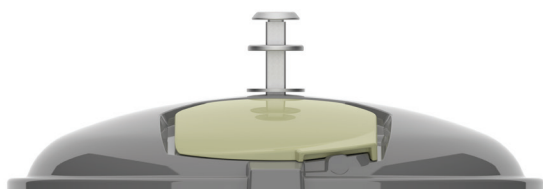


Figure 20: Kinshofer

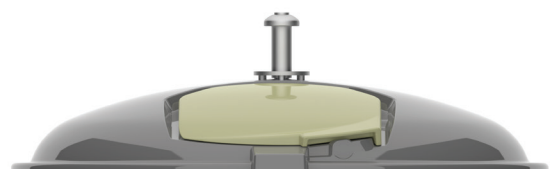


Figure 22: Nord hook

The process must be carried out in the following order:

a) Connect the vehicle lifting mechanism to the hook system on the waste collection container (Figure 23). The hook on the vehicle must be compatible with the hook system on the container! Before and during the lifting of the insert from the container housing, ensure that the flaps of the insert are closed, as in Figure 24;



Figure 23: Connecting the vehicle lifting mechanism to the lifting mechanism of the container



Figure 24: Example of closed flaps when lifting the insert

b) lift the insert above the truck and empty the insert (Figure 25);



Figure 25: Lifting and emptying the insert

c) install the insert back into the container.

When returning the insert to the container, you must align the cover as shown in Figure 26. Failure to do so may result in damage to the cover or insert, and cause stormwater to leak into the container.



Figure 26: Properly installed cover after the emptying is completed

3.3. FINAL INSPECTION AND DOCUMENTING OF THE EMPTYING PROCESS

- * Cleaning the area: After emptying the container, remove any bulk waste around the container;
- * Safety Inspection: Perform a final safety inspection of the area;;
- * Emptying log: Keep records of emptying dates and any issues or peculiarities that might have occurred during the process, so that you can keep track of maintenance needs and ensure regular servicing.

4. CLEANING AND MAINTENANCE OF CONTAINERS

Regular and thorough cleaning and maintenance of deep waste collection containers is critical for ensuring a long life of the container, maintaining hygiene, and preventing unpleasant odours.

4.1. GENERAL

- * Before you begin the cleaning process, remove the insert from the container housing.
- * Cleaning must only be carried out by persons who are professionally qualified to carry out the cleaning of ECOdip containers. The cleaning contractor must ensure that the entire cleaning process is carried out in a safe manner.
- * After the cleaning is completed, perform a final inspection of the containers and ensure that all surfaces are clean and free of waste residue.
- * Maintain a record of all cleaning processes, including the date and any issues or necessary repairs noted.

4.2. CLEANING CONTAINERS

- * To wash the inside of the containers, use ecological detergent in accordance with the instructions for its use, and thoroughly clean the container housing;
- * If necessary, use a high-pressure cleaner;
- * After cleaning, rinse the container thoroughly with water to remove all detergent residue and dirt;
- * Drain all the liquid from the container;
- * During periods of low temperatures, regularly remove snow and ice from containers.

4.3. DISINFECTION OF CONTAINERS

If necessary, disinfect the containers with an agent suitable for use in the food industry or for waste treatment, in order to ensure the destruction of bacteria and prevent unpleasant odours.

4.4. PERIODIC MAINTENANCE INSPECTION AND SERVICING OF CONTAINERS

The emptying contractor regularly performs an inspection of all containers at each emptying. Servicing of the containers may only be performed by authorised persons. Authorised service personnel are the manufacturer and service technicians authorised by the manufacturer to carry out any servicing of the ECOdip containers.

4.4.1. UPON EACH EMPTYING

Upon regular emptying of the containers, check the condition of the following components in each ECOdip container (depending on the design):

- * hook and fixing screws;
- * BIG BAGs or inserts
- * the tensioning rope and its lock;
- * lifting bands on the lifting mechanism load ring;
- * the lid for the revision opening (hinges, locks);
- * whether the revision opening is passable.

If you find any deviations from the condition at the time of delivery that may pose any risk to the operator or the user of the containers, the container or part of it must be immediately decommissioned and the service technician notified to correct the defect.

4.4.2. MONTHLY INSPECTIONS

- * Follow the instructions in point 4.4.1.;
- * Clean the outer surfaces of the container monthly with water and mild cleaning agents to prevent dirt and mould from accumulating.
- * Check the functionality of the revision lid hinges and clean them if necessary. Also check revision lid itself and the cover hinge. The hinge guide must be lubricated.
- * Check the functionality of the tensioning mechanism of the stainless steel tensioning strips for decorative panels (Figure 27);



Figure 27: Stainless steel strap tensioning mechanism

- * Lubricate all moving metal parts of the containers to ensure their smooth operation and prevent corrosion;
- * Check that all mechanical parts are correctly adjusted and fully functional as intended;
- * Adjust or fasten parts that have been loosened or moved.

4.4.3. YEARLY SERVICE INTERVAL

Unauthorised persons are not allowed to interfere with the construction of the ECOdip container. In the event of unauthorised interference with the product, the warranty shall no longer apply. If a more demanding service must be performed on the container, immediately contact the manufacturer or an authorised service technician.

A general inspection of the ECOdip containers must be carried out once a year. The annual servicing may only be carried out by a person, or a service technician authorised to do so by the manufacturer. Only original spare parts may be used.

Service plan:

- * a comprehensive inspection according to points 4.4.1 and 4.4.2.;
- * a thorough inspection of the lifting mechanism;
- * replacement of damaged and worn parts;
- * inspection of the surface of the BIG BAG collection bag and its functional parts (ropes, locks, loops), or inspection of the PE or metal insert and its components;
- * replacement of the BIG BAG collection bag set once every 5 years, from the date of first use, whereby said set consists of the BIG BAG collection bag, lifting bands, rope, rope lock, and the rope tightening clamp;
- * in the case of a built-in extinguishing ampoule (Figure 28), check that liquid is present in the ampoule and that the glass is not damaged. The ampoule must be replaced once every 10 years.



Figure 28: Extinguishing ampoule

5. SAFETY PRECAUTIONS AND SAFETY INSTRUCTIONS

ECOdip containers are safe to use if you are adhering to the “Installation Manual” and the “Use and Maintenance Manual”.

ECOdip containers may be fitted with a lock for locking the inspection shutters, regardless of the dimension of said inspection shutter. If the opening of the inspection shutter is larger than 500 mm, locking the inspection shutter cover is mandatory.

It is strictly forbidden to enter the container unless adhering to these exact instructions. Never attempt to reach waste that has already been disposed of.

Strictly follow the following instructions:

1. USE FOR THE INTENDED PURPOSE:

ECOdip containers may only be used for the purpose for which they were designed. Do not use ECOdip containers that are not flawless or are damaged in any way.

2. COMPLIANCE WITH THE MANUFACTURER’S INSTRUCTIONS:

Strictly follow the manufacturer’s instructions for the installation, use and maintenance of ECOdip containers, and ensure that regular inspections are carried out at the intervals specified by the manufacturer.

3. PROHIBITION OF STRUCTURAL INTERFERENCES IN ECODIP CONTAINERS:

ECOdip containers may not be modified. Any modifications will terminate the warranty.

4. RESTRICTION OF ACCESS DURING THE MAINTENANCE OR CLEANING PHASE:

Access to ECOdip containers can only be allowed to authorised persons who are professionally trained in the maintenance, cleaning and servicing of these containers and who have been suitably educated and qualified for safe work.

5. VENTILATION OF THE CONTAINER:

Ventilate the ECOdip container every time before entering the container.

6. PROHIBITION OF SMOKING AND OPEN FLAMES:

Smoking and open fire in the vicinity of ECOdip containers is strictly prohibited.

7. USE OF PROTECTIVE EQUIPMENT:

Use appropriate personal protective equipment when handling ECOdip containers and performing service or maintenance work.

8. CORRECT CLOSING OF ECODIP CONTAINERS:

After servicing or maintenance work is completed, it is necessary to install inserts with the covers on the housings.

9. LABELLING CONTAINERS:

The buyer must take care of the installation of all necessary warning signs and boards.

5.1. TROUBLESHOOTING

* **Immediately addressing any issues:**

In the event of mechanical failure, damage to the container or other issues, immediately stop using the container and notify the authorised service department.

* **Managing spills or leakage:**

In case of spillage or leakage from the container, immediately take appropriate cleaning measures and prevent the possible spread of contamination. Immediately inform the authorised service department.

6. WARRANTY

The detailed terms of the product warranty are stated in the warranty statement attached to the product.

Manufacturer's exclusion of liability: the manufacturer assumes no liability for possible damage, injuries to persons, things or pollution, if the damage, injuries or pollution are the result of non-compliance with the manufacturer's instructions for installation, use and maintenance of ECOdip containers. Users, installation contractors and persons professionally trained in the maintenance and servicing of ECOdip containers are obliged to strictly follow all manufacturer's instructions for the installation, use and maintenance of ECOdip containers.

6.1. VALIDITY OF THE WARRANTY

The manufacturer guarantees to the buyer that the characteristics of the product are correct and that the product is without faults within the warranty period, but only if the written instructions issued by the manufacturer are followed during the installation, use and maintenance of the product, and only if the product will be used for normal use, for the basic purpose for which it was manufactured, and maintained in accordance with the manufacturer's instructions, provided that the product is installed no later than 2 (two) months after delivery. The duration of the warranty, the warranty conditions, and the terms of termination of the warranty are set out in the warranty certificate issued for each product.

6.2. WARRANTY CLAIMS

To claim the warranty, you must submit a complaint form, the purchase receipt, photos of the installation, the serial number of the container, and a photo of the defect.

All possible servicing and repairs of the product during the warranty period must be carried out by authorised service technicians.

7. RECYCLING

Containers can be recycled. After the end of the service life of the container, hand it over to an authorised waste management company. By reusing the material, you will contribute to the preservation of the natural environment and the reduction of the ecological footprint, as well as to a sustainable approach to resource management.



MATERIALS USED:

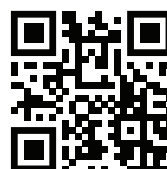
container housing	PE
dome	PE
inspection shutter	PE
dome hinge	FeZn, Al
locks*	FeZn, FeNi, stainless steel
drum	stainless steel
tensioning strap	stainless steel
tensioner of the tensioning strap	stainless steel
container lining*	wood, Al, WPC
hooks	FeZn
lifting centre	FeZn
ring	FeZn
reinforcing cross of the bottom	FeZn
screws	FeZn, stainless steel
plastic insert	PE, FeZn
BIG BAG*	PP, PVC
lifting straps	PP
rope	PP
latch	Nylon
A3 inscription plate*	FeZn, Dibond

* depending on the design of the container



APLAST proizvodnja in trgovina, d. o. o.
Ložnica pri Žalcu 37, 3310 Žalec, Slovenia
www.aplast.si | info@aplast.si

www.ecodip.eu



YOUR SALESPERSON